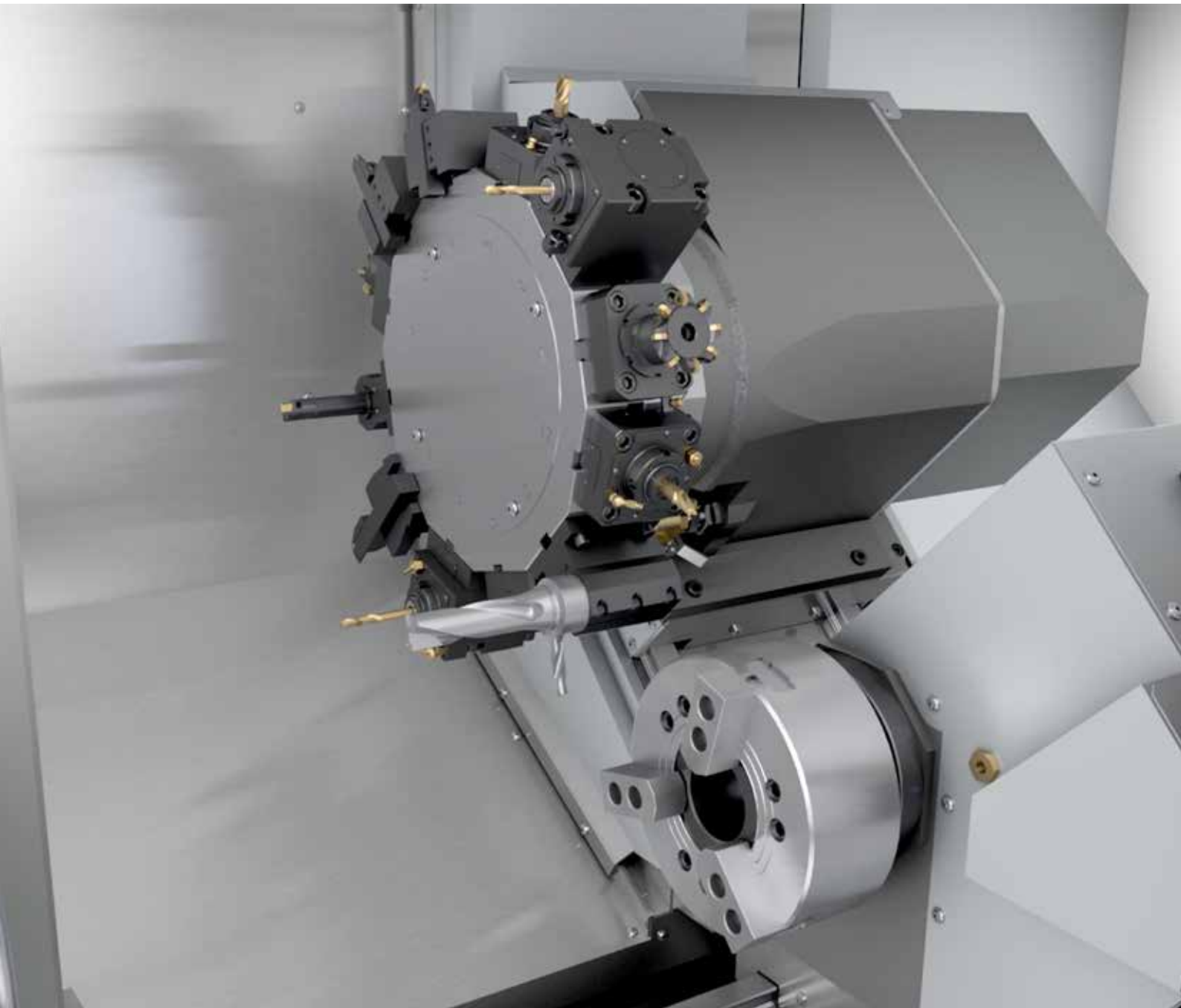




**TAKE PART IN THE
CNC REVOLUTION**

Toolholder for Haas – BMT65

K KEMMLER®
Präzisionswerkzeuge



www.teximp.com

Teximp®



TAKE PART IN THE CNC REVOLUTION

Index

Toolholder Set KIT 040 K	3
Toolholder Set KIT 041 K	4
Toolholder Set KIT 042 K	4
Toolholder Set KIT 043 K	5
Toolholder Set KIT 044 K	5
Toolholder Set KIT 045 K	6



TAKE PART IN THE CNC REVOLUTION

Toolholder **Set KIT 040 K**

Static tool set for Haas-Machine BMT65
In addition to Haas Standard KIT

Article No.	Description	Piece
AW.107.265.40.750	Boring bar holder Ø 40	2

Article No.	Description	Piece
AW.105.065.26.753	Cut-off holder, height adjustable SH 32 IC	1

Article No.	Description	Piece
120.02.04.20.1	Collet chuck Ø 40,0/ER 32	2
S 02.20	ER 32 Key	1

Article No.	Description	Piece
709.40.08	Reducing sleeve Ø 40 for static tool 2x Ø8/10/12/16/20/25/32	14

Article No.	Description	Piece
ER 32 Set	Collet Set ER 32 2x D-4/5/6/8/10/12/14/16/18/20	20



Euro **2'200.00**
Excl. Transport, Local VAT

**TAKE PART IN THE
CNC REVOLUTION**

Toolholder **Set KIT 041 K**

Static tool set for Haas-Machine BMT65
In addition to Haas Standard KIT

Article No.	Description	Piece
AW.102.065.25.755	Universal turning holder sq. 25	1



Euro 380.00

Excl. Transport, Local VAT

Toolholder **Set KIT 042 K**

Static tool set for Haas-Machine BMT65 – Half Index
In addition to Haas Standard KIT

Article No.	Description	Piece
AW.103.065.25.753	Combi multiple holder sq. 25	1
AW.107.265.25.756	Multiple boring bar holder Ø 25	1



Euro 1'430.00

Excl. Transport, Local VAT

**TAKE PART IN THE
CNC REVOLUTION**

Toolholder **Set KIT 043 K**

Static tool set for Haas-Machine BMT65 – DS Series
In addition to Haas Standard KIT



Article No.	Description	Piece
AW.103.065.25.755	Combi double turning holder sq. 25	1

Euro 470.00

Excl. Transport, Local VAT

Toolholder **Set KIT 044 K**

Static tool set for Haas-Machine BMT65 – DS Series – Half Index
In addition to Haas Standard KIT



Article No.	Description	Piece
AW.103.065.25.756	Combi multiple holder sq. 25	1
AW.107.265.25.756	Multiple boring bar holder Ø 25	1

Euro 1'570.00

Excl. Transport, Local VAT

**TAKE PART IN THE
CNC REVOLUTION**

Toolholder **Set KIT 045 K**

Driven tool set for Haas-Machine BMT65

Article No.	Description	Piece
AW.221.065.20.751	Axial drilling and milling head ER 32	2
	Shank size: BMT65	
	Tool adaption: ER 32	
	Gear ratio: i - 1:1	
	Torque max: 60 Nm	
	Rotation max: 6000 1/min	
	Rotating direction: same	
	Coolant: EXT	



Article No.	Description	Piece
AW.221.265.20.751	Radial drilling and milling head ER 32	2
	Version: 180° reversible	
	Shank size: BMT65	
	Tool adaption: ER 32	
	Gear ratio: i - 1:1	
	Torque max: 54 Nm	
	Rotation max: 6000 1/min	
	Rotating direction: same	
	Coolant: EXT	
	Center distance: 72 mm	



Article No.	Description	Piece
ER 32 Set	Collet Set ER 32 3/4/5/6/7/8/9/10/11/12/13/14/15/16/17/18/19/20	18

Article No.	Description	Piece
02.SE32	Key Set ER 32	1

Euro 4'320.00

Excl. Transport, Local VAT